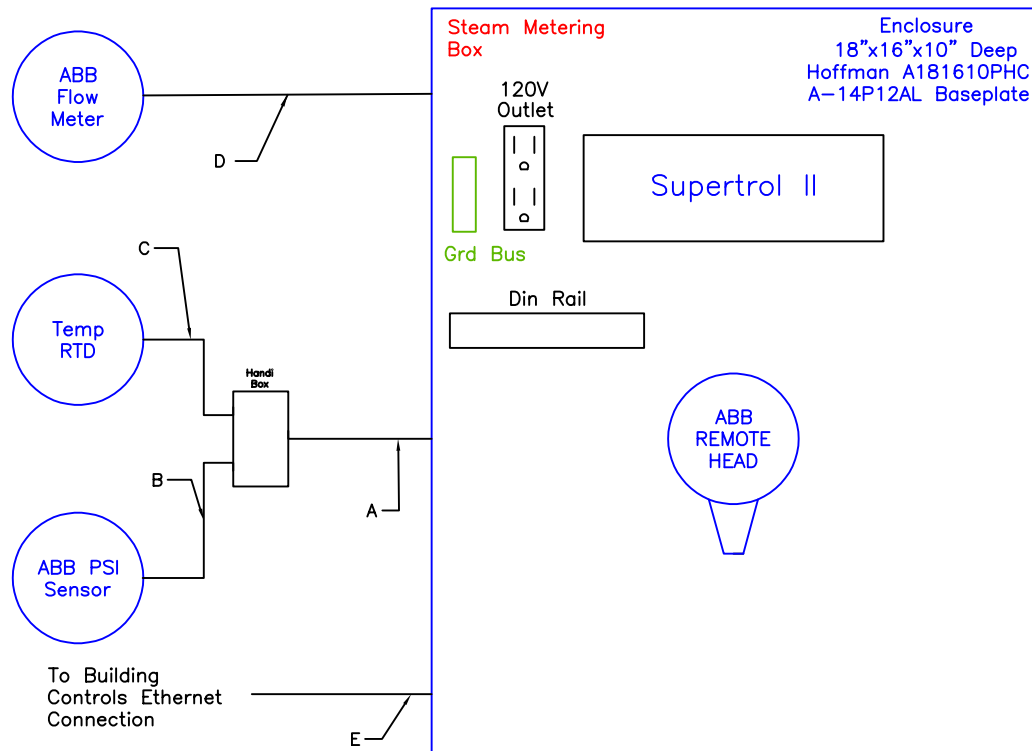


# ABB Swirl Meter Wiring Diagram



Circuit	Conduit	Cable	Cable information
A	3/4" ST	2-3 #18 wire shielded	Belden 1036A Triad
B	1/2" ST	1-3 #18 wire shielded	Belden 1036A Triad
C	3/4" ST	1-3 #18 wire shielded	Belden 1036A Triad
D	1/2" ST	Factory Cable	Max cable length 33 ft.
E	3/4" ST	Cat 6	Owner provided, contractor installed.

## Notes:

1. Owner to supply metering box prewired with outlet, power supply, etc.. Box installed by contractor.
2. Supertrol and ABB Remote Head shall be provided by contractor for installation by owner inside box.
3. Metering box shall not be installed higher than 7 feet from floor to top of box.
4. Unless otherwise indicated, all cables and wires installed by contractor. No cable splices allowed. Wires terminated by owner.
5. Owner will provide Blue, Cat 6 cable for installation by contractor. Cable pulled in from source to end device in a dedicated conduit with no other wiring. Conduit path shall not contain any "LB's" or bend radius less than 2 inches. Total cable length shall be less than 290 feet.
6. Do not share conduit paths with other wiring other than shown.
7. Leave 12" extra wiring at each end for owner termination.
8. Label Temp RTD and Pressure Sensor cables where they enter metering box.
9. 120V feed shall be 20A dedicated circuit from panel.

REV	DATE	Swirl Meter Wiring Diagram	
1	10/29/15		
2	9/1/2016		
3	12/6/2017		
4	5/1/2019		
DRAWN BY:		Energy Management Campus Facilities UNIVERSITY OF MISSOURI	 DRAWING NOT TO SCALE DATE: 4/9/14
CHECKED BY:			