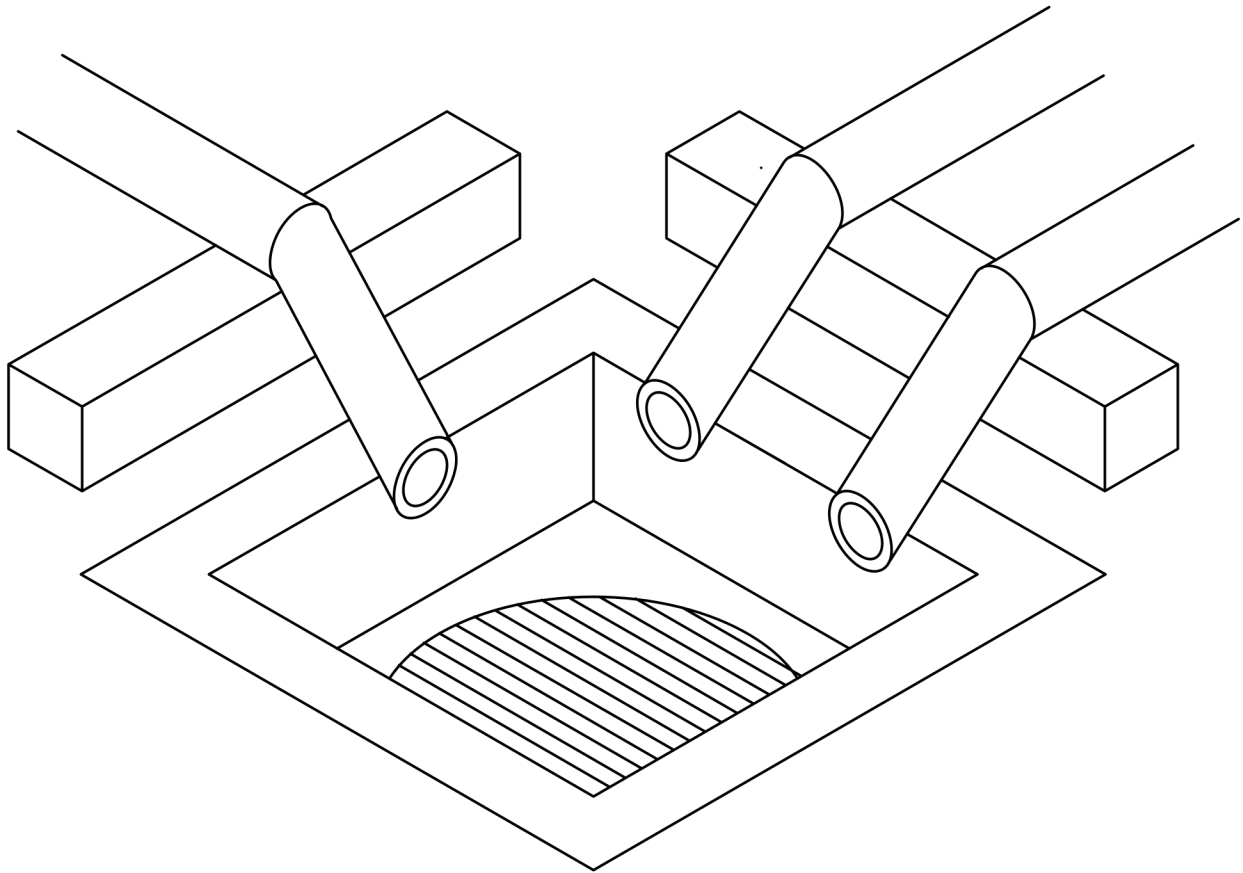


The Following Equipment  
Requires a Floor Drain:  
-Backflow Preventers  
-Water Softeners  
-Water Heaters  
-Heat Exchangers  
-Condensate Pumps



ZURN Z-566 12" OPEN TOP DRAIN

DATE:	
1	01.04.2 1
△	
△	
△	
DWN BY:	
CKD BY:	

<h1>MECHANICAL ROOM FLOOR DRAIN</h1>	
	CAMPUS FACILITIES – MAINTENANCE UNIVERSITY OF MISSOURI

PROJECT NUMBER
SHEET
of