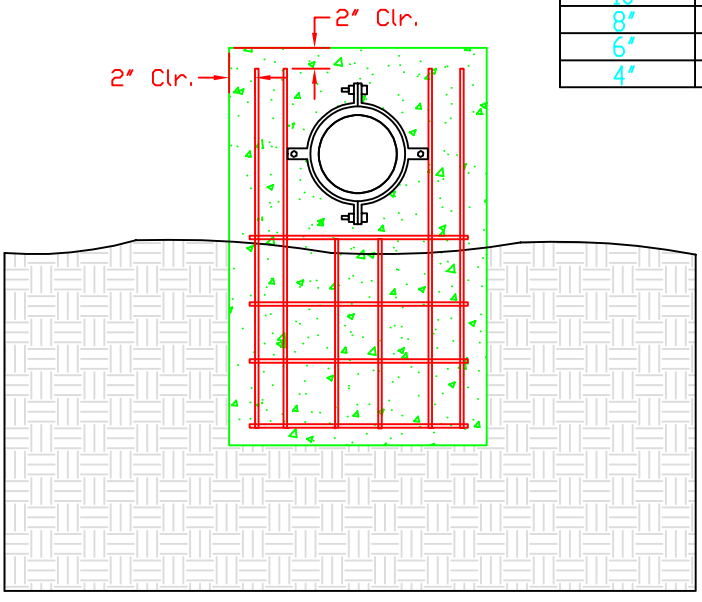


SIDE VIEW

PIPE DIA	REINF.
10"	#6 @ 6"
8"	#6 @ 5"
6"	#4 @ 3"
4"	#4 @ 4"



FRONT VIEW

REV	DATE
0	7/11/05
DRAWN BY: TG	
CHECKED BY: TG	

Construction Standard Thrust Block

Energy Management
 Campus Facilities
 UNIVERSITY OF MISSOURI



DRAWING
 NOT TO SCALE
 DATE: 7/11/05